



☎ 1300 072 926

VIC 24-28 Williams Road Dandenong Sth. 3175  
E vic@globalmachinerysales.com.au  
F (03) 9791 7676

NSW Unit 1/21 Penny Place Arndell Park 2148  
E nsw@globalmachinerysales.com.au  
F (02) 8678 2478





**CMC S19E - "E" for EASY:  
easy operation,  
easy maintenance,  
perfect for hire!  
Only one work area  
with 200 kg unrestricted!**

The CMC S19E is a narrow tracked boom lift. It is ultra-compact and user-friendly, with intuitive controls and no fuss.

The S19E can pass through a single doorway and can operate in the tightest of space.

The S19E has an impressive height and outreach with a maximum basket capacity of 200kg.



**Single Doorway  
width (780mm)**



**Simple Control  
System**



**Hydraulic  
Extending Tracks**



**Towable  
Transportable**



**OPTIONAL Dual  
Voltage AC Motor**



**OPTIONAL Kubota  
Diesel Engine**



**Simple to use**

User-friendly, with intuitive 4-step operation from start to working at height.

**Versatile**

Articulating boom, with telescopic and jib. Plus innovative basket design.

**Service friendly**

Simple operating system with fault code diagnosis and easy to repair on-site.

**Compact**

The most compact dimensions of any Spiderlift in this height range.

**Power**

11.7hp Honda GX390 Petrol engine with 240v 15amp 2.2kw AC motor.

**Towable**

Low weight and compact, so suitable to tow on a trailer behind mid-size vans and 4x4s.



**PERFORMANCE**

Max working height	18.7m
Max working outreach (with 80kg or 200kg)	9.2m
Max outreach, edge of the basket (with 80kg or 200kg)	8.3m
Max basket capacity	200kg
Jib movement	90°
Turret rotation	356°
(P) Max slope to stabilise	5° / 9%
Tracks extension/retraction	0.30m
(W) Max angle approach	13° / 23%
(X) Max travel slope	14° / 25%
Max travel speed	1.06km/h

**DIMENSIONS**

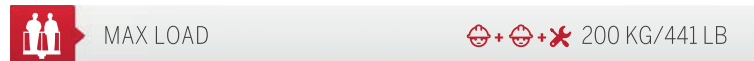
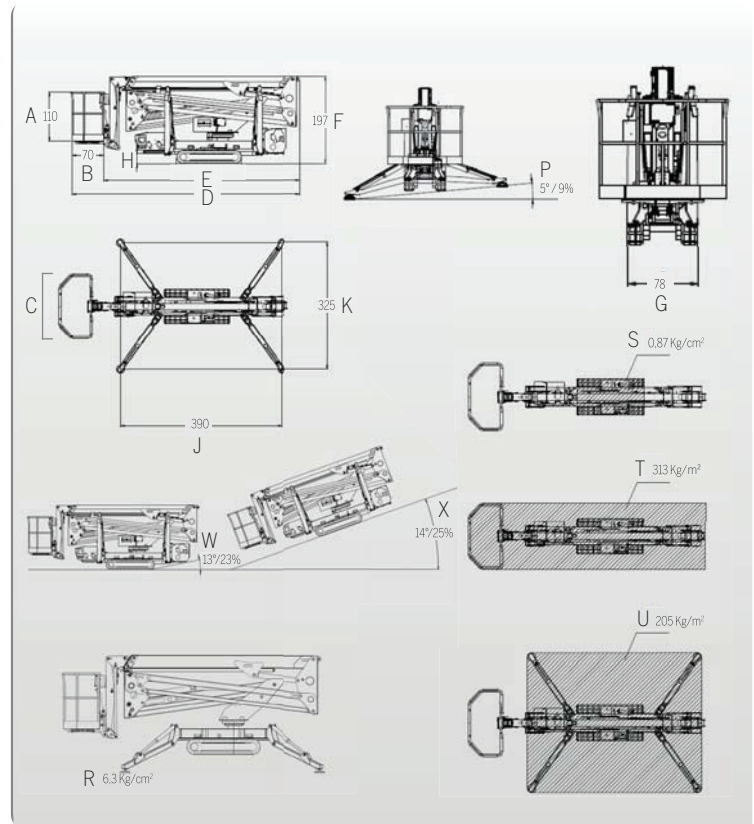
(A) Basket height	1.10m
(B) Basket width	0.70m
(C) Basket length	1.40m
(D) Total length	5.22m
(E) Total length without basket	4.58m
(F) Height in driving position	1.97m
(G) Total width (without basket)	0.78m
(H) Free height from the ground	0.22m
Tracks (LxW)	1.44 x 0.18m
(J) Maximum longitudinal stabilisation	3.90m
(K) Maximum cross stabilisation	3.25m
Stabilisers plate	0.18m

**WEIGHTS**

Total weight (Honda engine)	2,690kg
Total weight (Kubota engine)	2,690kg
(R) Max pressure on the foot	6.3kg/cm <sup>2</sup>
(S) Max pressure on the track	0.87kg/cm <sup>2</sup>
(T) Max pressure in travel	313kg/m <sup>2</sup>
(U) Max pressure in work	205kg/m <sup>2</sup>

**POWER**

Engine	11.7hp Honda GX390 Petrol
Electric motor	240v 15amp 2.2kw



MAX LOAD

200 KG/441 LB

